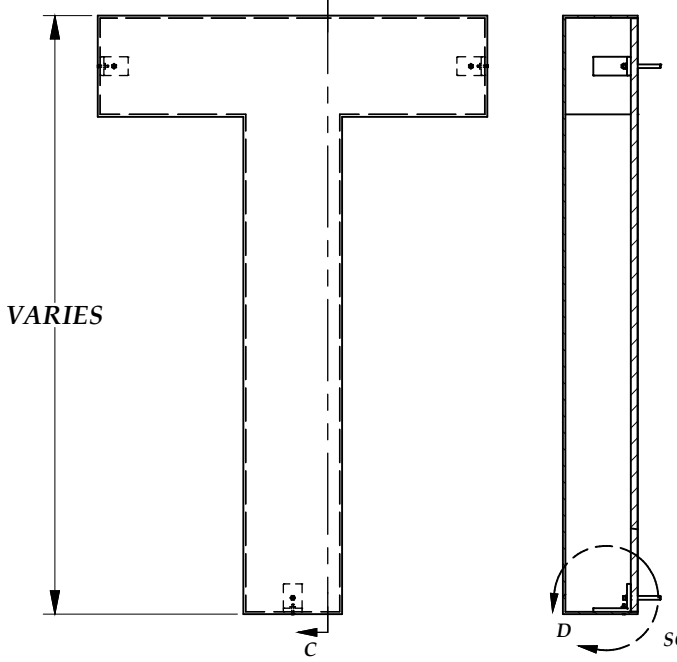
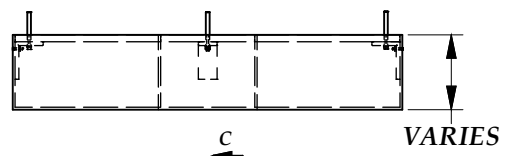
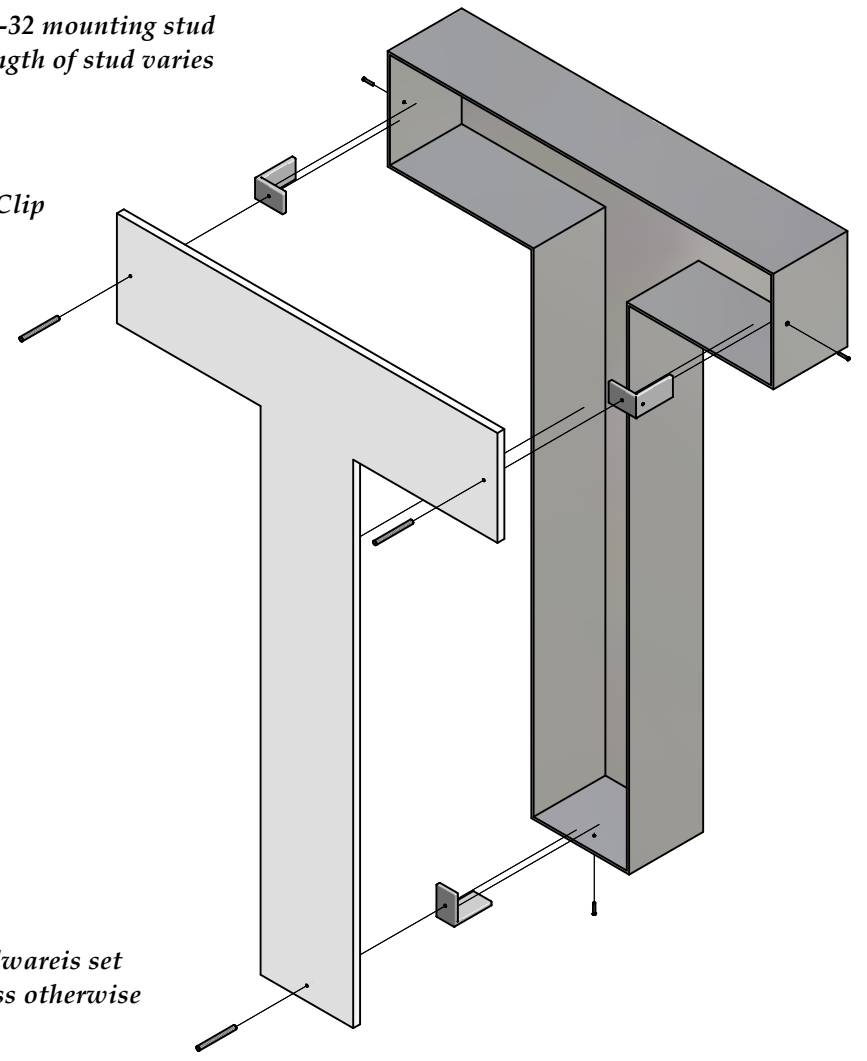
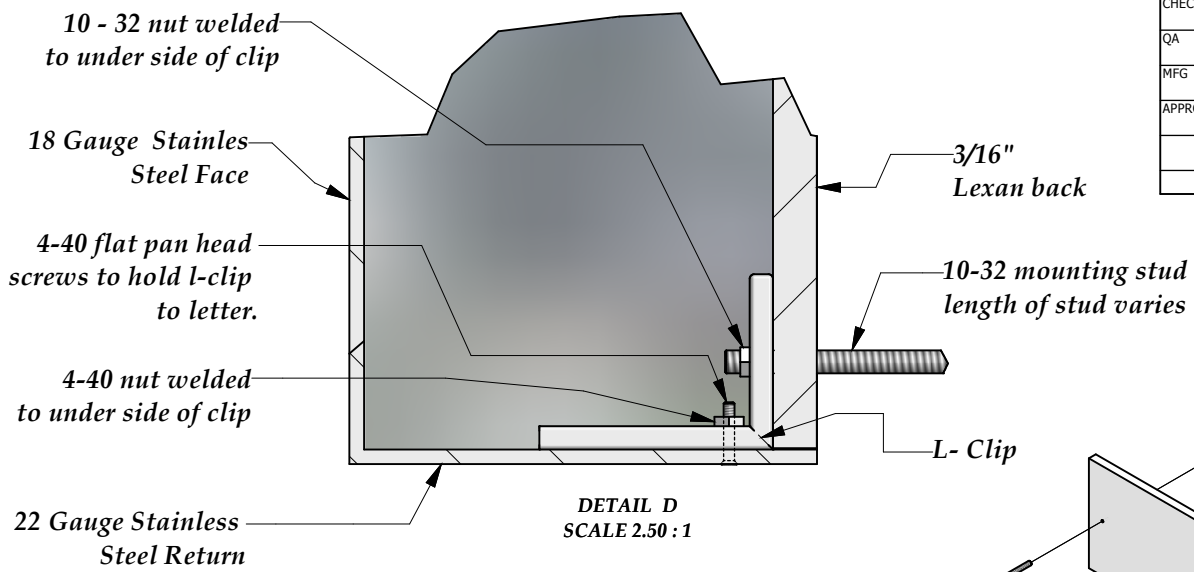


DRAWN		TITLE	
JOE		Removable L - Clips with Removable Lexan Back	
CHECKED		Drawing Number: M5	
QA		SIZE	REV
MFG		SCALE	SHEET 6 OF 18
APPROVED			



NOTE:  
1. All mounting hardware is set up for 10 - 32 unless otherwise specified.