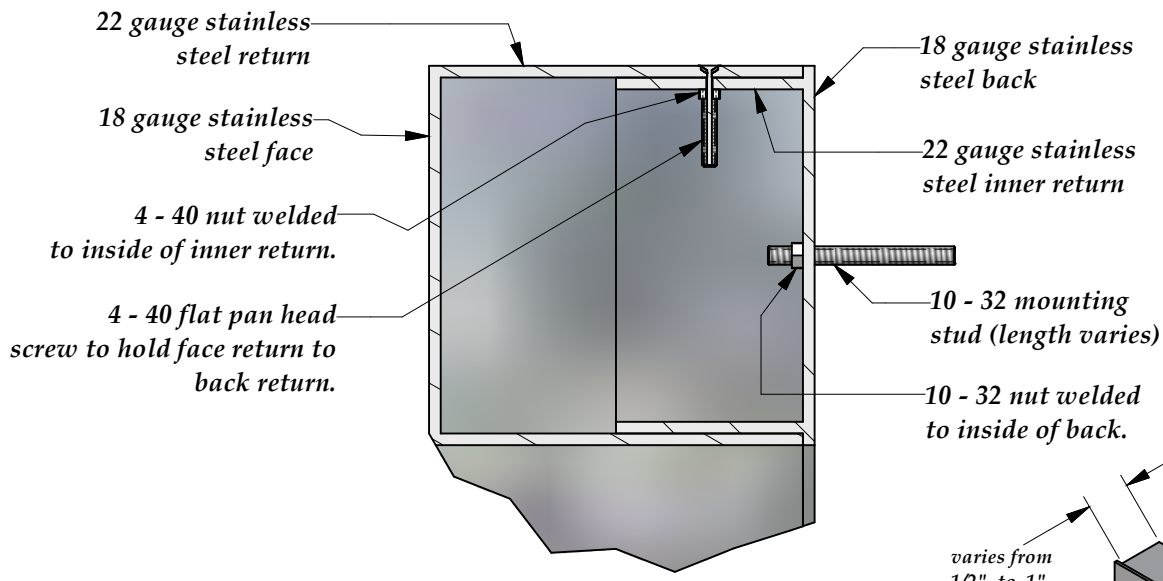
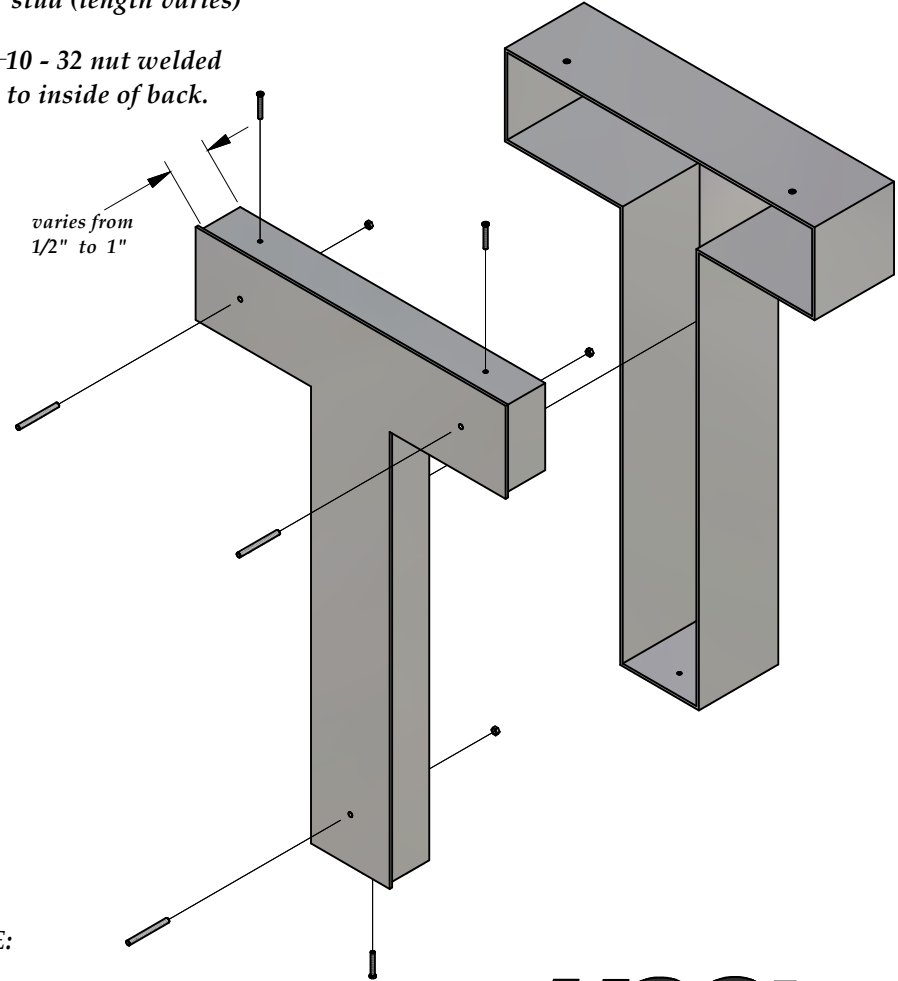
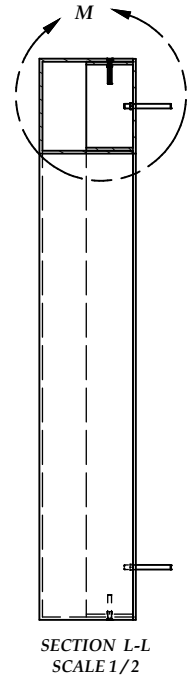
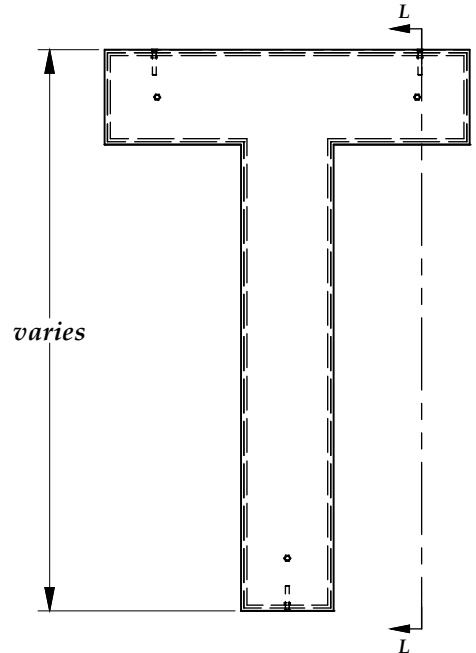
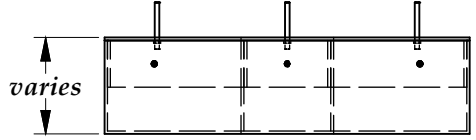


DRAWN JOE		TITLE <b>Cookie Can Removable Back with Stud Mount</b>	
CHECKED		Drawing Number: <b>M13</b>	
QA		SIZE	REV
MFG		SHEET <b>14</b> OF <b>18</b>	
APPROVED		SCALE	



DETAIL M  
SCALE 2:1



NOTE:  
1. All mounting hardware is set up for 10 - 32 unless otherwise specified.